

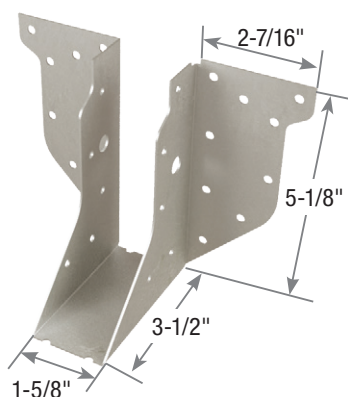


THDS26 Truss Hanger

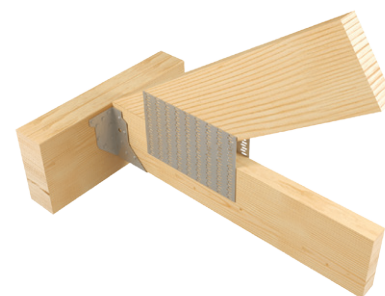
THDS26 hangers can be used to support headers, joists and trusses in medium load conditions. An open back design allows installation after a member is placed in position.

Materials: 18 gauge
Finish: G90 galvanizing

Installation:
 • Use all specified fasteners.



THDS26



Typical THDS26 installation

MiTek Stock No.	Steel Gauge	Application ⁴		Fastener Schedule ⁵				Unit	DF Factored Resistance		S-P-F Factored Resistance	
		Header	Joist ³	Header		Joist ²			Vertical 100%	Uplift ¹ 115%	Vertical 100%	Uplift ¹ 115%
				Qty	Type	Qty	Type					
THDS26	18	(1) 2x6 S-P-F	(1) 2x6 S-P-F	18	16d x 2-1/2	10	10d x 1-1/2	Lbs	2110	1690	2110	1690
								kN	9.39	7.52	9.39	7.52
		(2) 2x6 S-P-F	(1) 2x6 S-P-F	18	16d x 2-1/2	10	10d x 1-1/2	Lbs	2340	1690	2340	1690
								kN	10.41	7.52	10.41	7.52
		(1) 2x6 S-P-F	(1) S-P-F plated truss	18	16d x 2-1/2	10	10d x 1-1/2	Lbs	3415	1690	3415	1690
								kN	15.19	7.52	15.19	7.52
		(2) 2x6 S-P-F	(1) S-P-F plated truss	18	16d x 2-1/2	10	10d x 1-1/2	Lbs	3640	1690	3640	1690
								kN	16.19	7.52	16.19	7.52

- 1) Factored uplift resistances have been increased 15% for short-term loading such as wind and earthquake; reduce for other load durations in accordance with the code.
- 2) When used in a truss application, the fasteners into the supported member will need to be driven through the truss plate to complete the installation.
- 3) Where truss plate is not within 1/4" of bottom surface use values for 2x6 S-P-F joist.
- 4) Supporting and supported wood members are to be designed by others. Ensure supporting member can accept all fasteners.
- 5) **NAILS:** 10d x 1-1/2 nails are 0.148" dia. x 1-1/2" long, 16d x 2-1/2 nails are 0.162" dia. x 2-1/2" long. New products or updated product information are designated in **blue font**.

PEO
 Certificate No. 10889485



Dec. 19, 2017

Use in conjunction with MiTek's current Canadian Product Catalogue for detailed hanger information.

Valid through Dec. 31, 2019



**MiTek supplies quality products
 to build Stronger Safer Structures**
 MiTek.ca

Copyright © 2017 MiTek Industries, Inc. All Rights Reserved.
 December 2017 USP2320-THDS

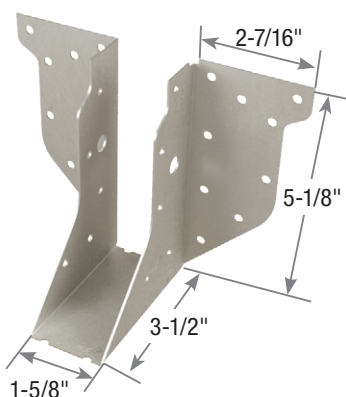


THDS26 Truss Hanger

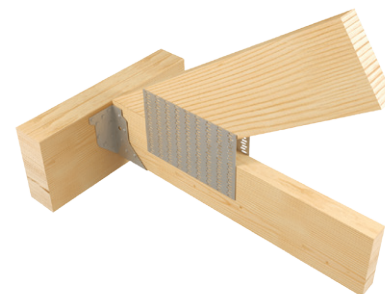
THDS26 hangers can be used to support headers, joists and trusses in medium load conditions. An open back design allows installation after a member is placed in position.

Materials: 18 gauge
Finish: G90 galvanizing

Installation:
 • Use all specified fasteners.



THDS26



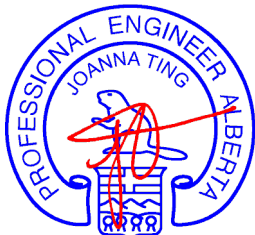
Typical THDS26 installation

MiTek Stock No.	Steel Gauge	Application ⁴		Fastener Schedule ⁵				Unit	DF Factored Resistance		S-P-F Factored Resistance	
		Header	Joist ³	Header		Joist ²			Vertical 100%	Uplift ¹ 115%	Vertical 100%	Uplift ¹ 115%
				Qty	Type	Qty	Type					
THDS26	18	(1) 2x6 S-P-F	(1) 2x6 S-P-F	18	16d x 2-1/2	10	10d x 1-1/2	Lbs	2110	1690	2110	1690
				kN	9.39	7.52	9.39	7.52				
		(2) 2x6 S-P-F	(1) 2x6 S-P-F	18	16d x 2-1/2	10	10d x 1-1/2	Lbs	2340	1690	2340	1690
				kN	10.41	7.52	10.41	7.52				
		(1) 2x6 S-P-F	(1) S-P-F plated truss	18	16d x 2-1/2	10	10d x 1-1/2	Lbs	3415	1690	3415	1690
				kN	15.19	7.52	15.19	7.52				
		(2) 2x6 S-P-F	(1) S-P-F plated truss	18	16d x 2-1/2	10	10d x 1-1/2	Lbs	3640	1690	3640	1690
				kN	16.19	7.52	16.19	7.52				

- 1) Factored uplift resistances have been increased 15% for short-term loading such as wind and earthquake; reduce for other load durations in accordance with the code.
- 2) When used in a truss application, the fasteners into the supported member will need to be driven through the truss plate to complete the installation.
- 3) Where truss plate is not within 1/4" of bottom surface use values for 2x6 S-P-F joist.
- 4) Supporting and supported wood members are to be designed by others. Ensure supporting member can accept all fasteners.
- 5) **NAILS:** 10d x 1-1/2 nails are 0.148" dia. x 1-1/2" long, 16d x 2-1/2 nails are 0.162" dia. x 2-1/2" long. New products or updated product information are designated in **blue font**.

Use in conjunction with MiTek's current Canadian Product Catalogue for detailed hanger information.

APEGA
Permit No. P3837



Dec. 19, 2017



Dec. 19, 2017

APEGM
Certificate No. 96



Dec. 19, 2017

APEGS
Certificate No. C0940



Dec. 19, 2017

YR. MN. DAY

Valid through Dec. 31, 2019

MiTek

**MiTek supplies quality products
to build Stronger Safer Structures**

MiTek.ca

Copyright © 2017 MiTek Industries, Inc. All Rights Reserved.
December 2017 USP2320-THDS

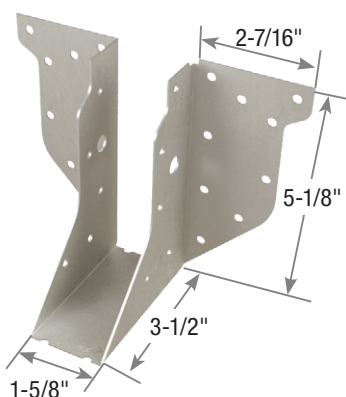


THDS26 Truss Hanger

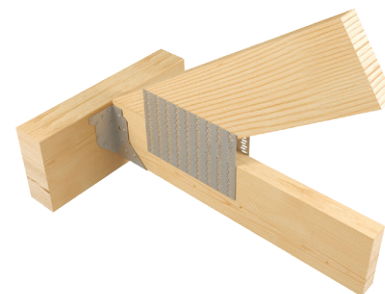
THDS26 hangers can be used to support headers, joists and trusses in medium load conditions. An open back design allows installation after a member is placed in position.

Materials: 18 gauge
Finish: G90 galvanizing

Installation:
 • Use all specified fasteners.



THDS26



Typical THDS26 installation

MiTek Stock No.	Steel Gauge	Application ⁴		Fastener Schedule ⁵				Unit	DF Factored Resistance		S-P-F Factored Resistance	
		Header	Joist ³	Header		Joist ²			Vertical 100%	Uplift ¹ 115%	Vertical 100%	Uplift ¹ 115%
				Qty	Type	Qty	Type					
THDS26	18	(1) 2x6 S-P-F	(1) 2x6 S-P-F	18	16d x 2-1/2	10	10d x 1-1/2	Lbs	2110	1690	2110	1690
				kN	9.39	7.52	9.39	7.52				
		(2) 2x6 S-P-F	(1) 2x6 S-P-F	18	16d x 2-1/2	10	10d x 1-1/2	Lbs	2340	1690	2340	1690
				kN	10.41	7.52	10.41	7.52				
		(1) 2x6 S-P-F	(1) S-P-F plated truss	18	16d x 2-1/2	10	10d x 1-1/2	Lbs	3415	1690	3415	1690
				kN	15.19	7.52	15.19	7.52				
		(2) 2x6 S-P-F	(1) S-P-F plated truss	18	16d x 2-1/2	10	10d x 1-1/2	Lbs	3640	1690	3640	1690
				kN	16.19	7.52	16.19	7.52				

- 1) Factored uplift resistances have been increased 15% for short-term loading such as wind and earthquake; reduce for other load durations in accordance with the code.
- 2) When used in a truss application, the fasteners into the supported member will need to be driven through the truss plate to complete the installation.
- 3) Where truss plate is not within 1/4" of bottom surface use values for 2x6 S-P-F joist.
- 4) Supporting and supported wood members are to be designed by others. Ensure supporting member can accept all fasteners.
- 5) **NAILS:** 10d x 1-1/2 nails are 0.148" dia. x 1-1/2" long, 16d x 2-1/2 nails are 0.162" dia. x 2-1/2" long. New products or updated product information are designated in **blue font**.



Dec. 19, 2017



APEGNB
Certificate No. F0649



Use in conjunction with MiTek's current Canadian Product Catalogue for detailed hanger information.

Valid through Dec. 31, 2019



**MiTek supplies quality products
to build Stronger Safer Structures**

MiTek.ca

Copyright © 2017 MiTek Industries, Inc. All Rights Reserved.
December 2017 USP2320-THDS